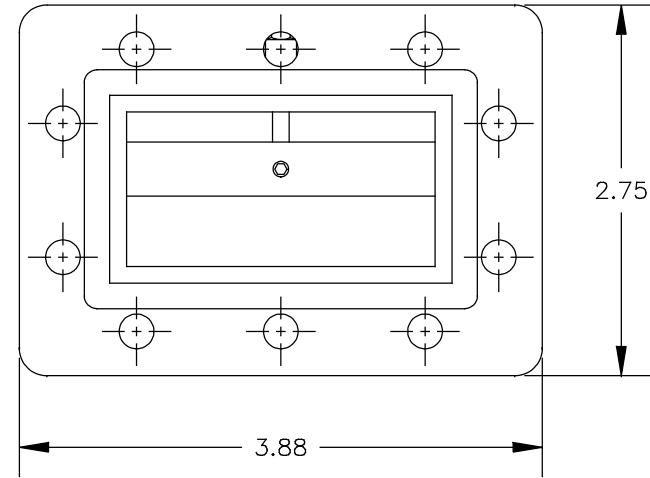
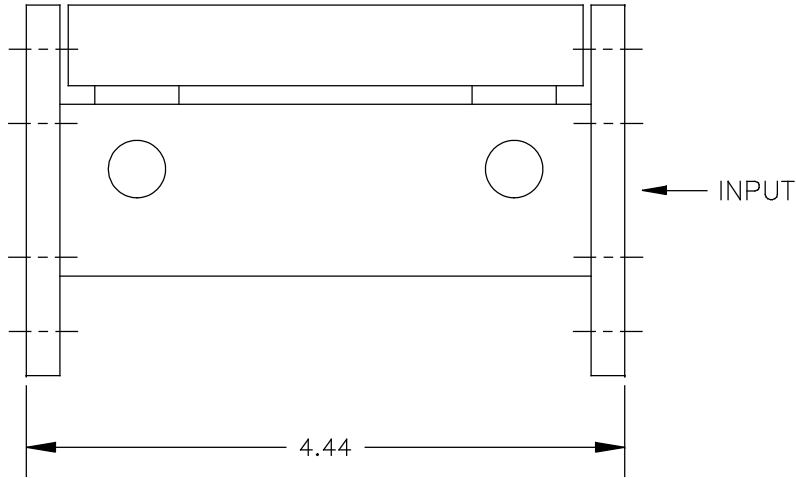


THIS DRAWING IS A SOURCE CONTROL DRAWING AND IS PROPRIETARY TO MICROWAVE FILTER CO., INC. AND
MAY NOT BE DUPLICATED OR DISTRIBUTED WITHOUT WRITTEN PERMISSION OF MICROWAVE FILTER CO., INC.
THIS DRAWING ALSO DESCRIBES TRADE SECRETS AND IS THE EXCLUSIVE PROPERTY OF MICROWAVE FILTER CO., INC

REVISION			
LTR	ECN	DATE	APPR'D
A	4293	10/11	PMB
B	4643	3/13	PMB



SPECIFICATIONS

PASSBAND: 3.40 – 4.20 GHz.
INSERTION LOSS: 0.5 dB TYP
V.S.W.R.: 1.5:1 TYP
REJECTION: 25 dB MIN. @ 3.3 & 4.3 GHz
50 dB TYP. @ 4.4 GHz
60 dB TYP. @ 4.5 GHz
60 dB MIN. FROM 5.825–6.725 GHz
60 dB MIN. FROM 7.250–7.750 GHz
FLANGES: CPR-229 W/SUPPLIED HALF GASKET/
GROOVED FLANGE (INPUT SIDE)
FLAT FLANGE (OUTPUT SIDE)

UNLESS SPECIFIED
ALL TOLERANCES \pm .030

ENVELOPE DRAWING

MFC MICROWAVE FILTER CO. INC. 6743 KINNE ST. E. SYRACUSE, N.Y. 13057		FSCM27834	
DATE 7/08		TITLE	
DWN BY PMB		BANDPASS FILTER	
ENGINEER P.M.		DRAWING NO. 13961-3400/4200	REV B